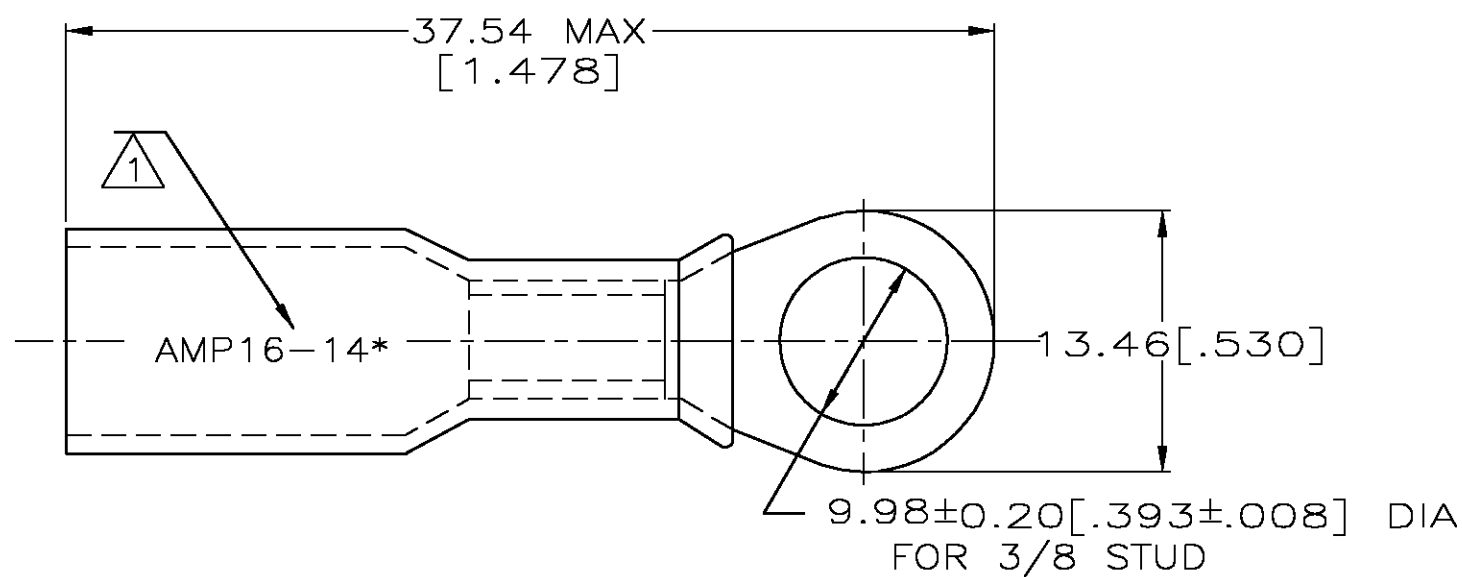


THIS DRAWING IS UNPUBLISHED. RELEASED FOR PUBLICATION .19
 © COPYRIGHT 19 BY AMP INCORPORATED. ALL INTERNATIONAL RIGHTS RESERVED.

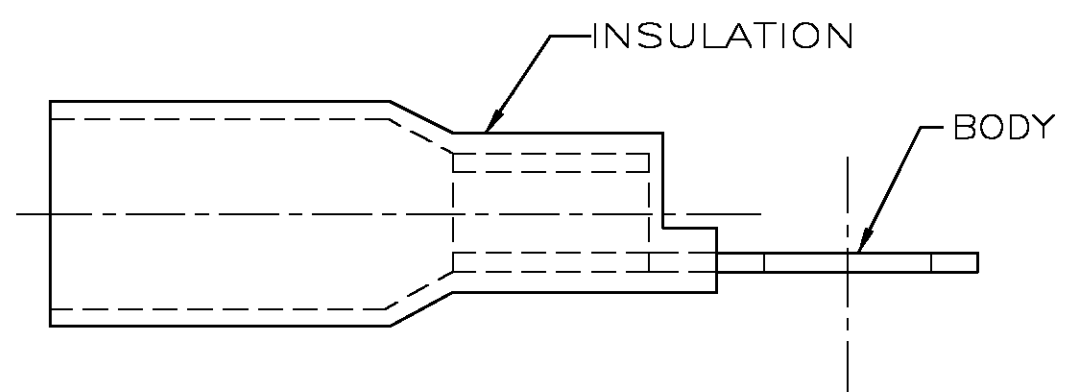
LOC	DIST	P	F	REVISIONS			DATE	APPD
G	14			ZONE	LTR	DESCRIPTION		
					B	REV PER 0G3A-0001-03	07JAN03	JR ME

AMP WIRE RANGE	Listed	Certified
16-14 AWG STRANDED	16-14 AWG STRANDED	16-14 AWG STRANDED

METRIC
 DIMENSIONS LISTED IN mm [INCHES]



- NOTES:
- 1 STAMP AMP 16-14* APPROX AS SHOWN
 2. WIRE INSULATION DIA 4.83mm [.190] MAX
 3. TONGUE MATERIAL THK 0.81±0.05mm [.032±.002]



AMP INCORPORATED CUSTOMER SERVICE SYSTEMS		MAX RECOMMENDED OPERATING TEMPERATURE: 125° C MAX	DO NOT SCALE PRINT. UNLESS SPECIFIED DIMENSIONS IN mm [INCHES] TOLERANCES ON: 2 PLC DEC ± 0.20[.008] 3 PLC DEC ± - ANGLES ± -	DR 6/93 S S GOULDEN	50	LOOSE PIECE	8-55855-2
FOR ADDITIONAL PRODUCT INFORMATION OR COPIES OF DRAWINGS AND TECHNICAL DOCUMENTS	PRODUCT INFORMATION CENTER 1-800-522-6752	VOLTAGE RATING: 600V MAX (BUILDING WIRING) 1000V MAX (FIXTURES & SIGNS)	MATERIAL BODY: ETP COPPER INSULATION: POLYOLEFIN COLOR: BLUE	CHK 6/93 R HERSEY	1000	LOOSE PIECE	55855-1
FOR APPLICATION TOOLING INFORMATION	TOOLING ASSISTANCE CENTER 1-800-722-1111	CIRCULAR MIL AREA: 1.04-2.62mm ² [2050-5180] STRANDED	FINISH EDP TIN PLATED	APPD 6/93 B BARE	QTY	PACKAGE TYPE	PART NO
FOR ORDER ENTRY	1-800-526-5142	THIS DRAWING IS A CONTROLLED DOCUMENT FOR AMP INCORPORATED. IT IS SUBJECT TO CHANGE AND THE CONTROLLING ENGINEERING ORGANIZATION SHOULD BE CONTACTED FOR THE LATEST REVISION.		APPD 6/93 M ELLIS			
				PRODUCT SPEC			
				APPLICATION SPEC			
				WEIGHT			
					SCALE	NTS	SHEET 1 OF 1
					SIZE	B	CAGE CODE 00779
							DRAWING NO C-55855